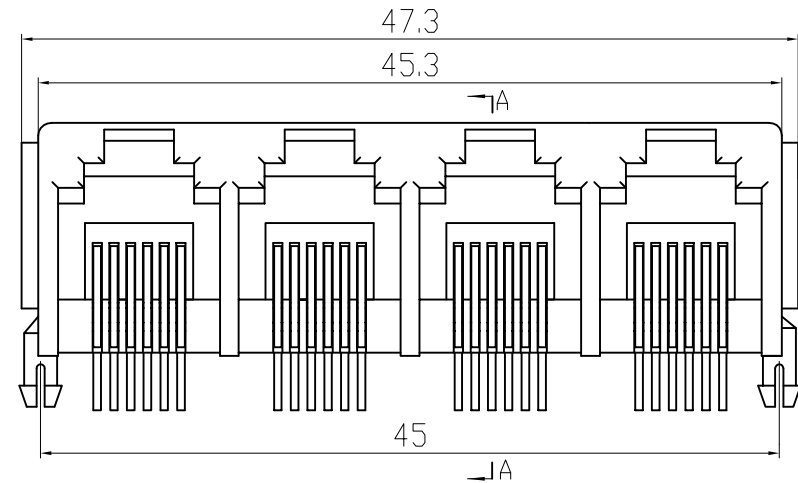
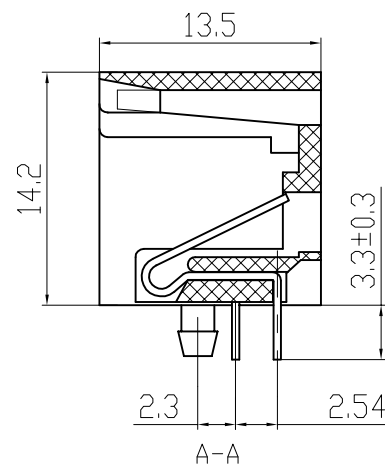
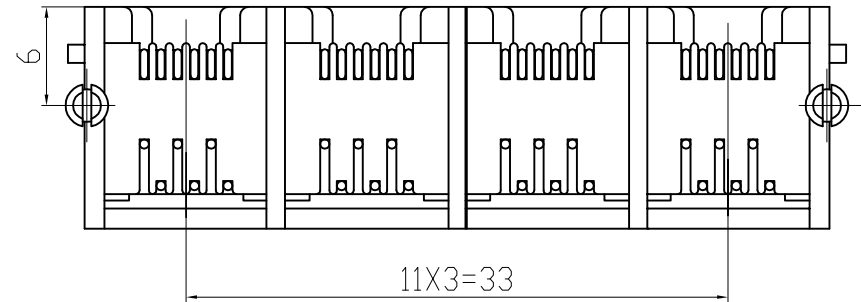


PC Board Layout



### PCB JACK Specification

1. Insulation Resistance: 500M Ω MIN @ 500 VDC
2. Withstanding Voltage: AC1000V 50Hz or 60Hz 1min.
3. Durability: 600 Mating Circles MIN.
4. Gold Plating: (3;6;15;30;50) u inch
5. Tolerances Unless Otherwise Specified  
 $.0 \pm 0.25$   $.00 \pm 0.20$   $.000 \pm 0.10$

0769-81585156		www.coorle.cn		库乐科技	
0769-81605156					
单位(units)	MM	设计(draw)	储楚	材料(mt'l)	图名(name)
比例(scale)	1 : 1	审核(ch'k)	洪华清		5521 1X4-6P6C-E
版次(rev.)	A / 1	核准(app'd)	徐晓荣	HOUSING	料号(Part number)
视图(view)		日期(date)	2007.08.18	PIN	料号(Part number)
				Qsn6.5-0.1	图档(File Name)